



**Richard Brain**

*PACCAR Australia.*

**Neil Husband**

*Cummins.*

**Alex Burton**

*PACCAR Australia.*

**Rohan Mason**

*Ashdown Ingram.*



# Diagnosing Electrical Problems

- Demonstration of Diagnostic Tools
- Electrical Fault finding
- Wiring repairs
- Questions and wrap up



# Diagnostic Tools

- DAVIE
- INSITE
- TEXA



# Diagnostic Tools



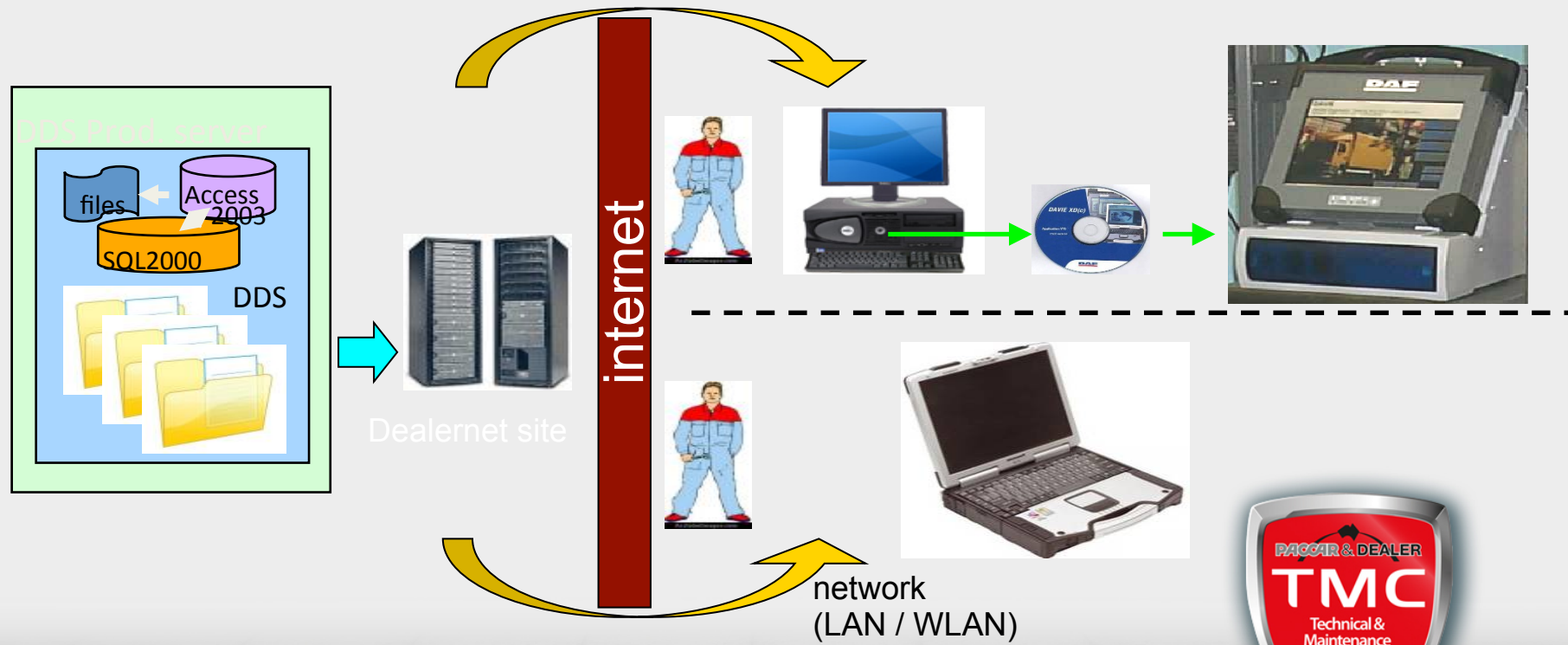
**DAF Vehicle Investigation Equipment  
eXcellence in Diagnostics  
compact II**



# Diagnostic Tools

- VCI
- USB cable & WLAN
- OBD cable and AMP
- Auto Multiplexer Integrated





## Function selection

ECU information

Error information

Functions

Programming

Calibration

(Performance)

(Service/ engineering information)





# Diagnostic Tools

- INSITE



# Diagnostic Tools

- TEXA



# Fault Finding

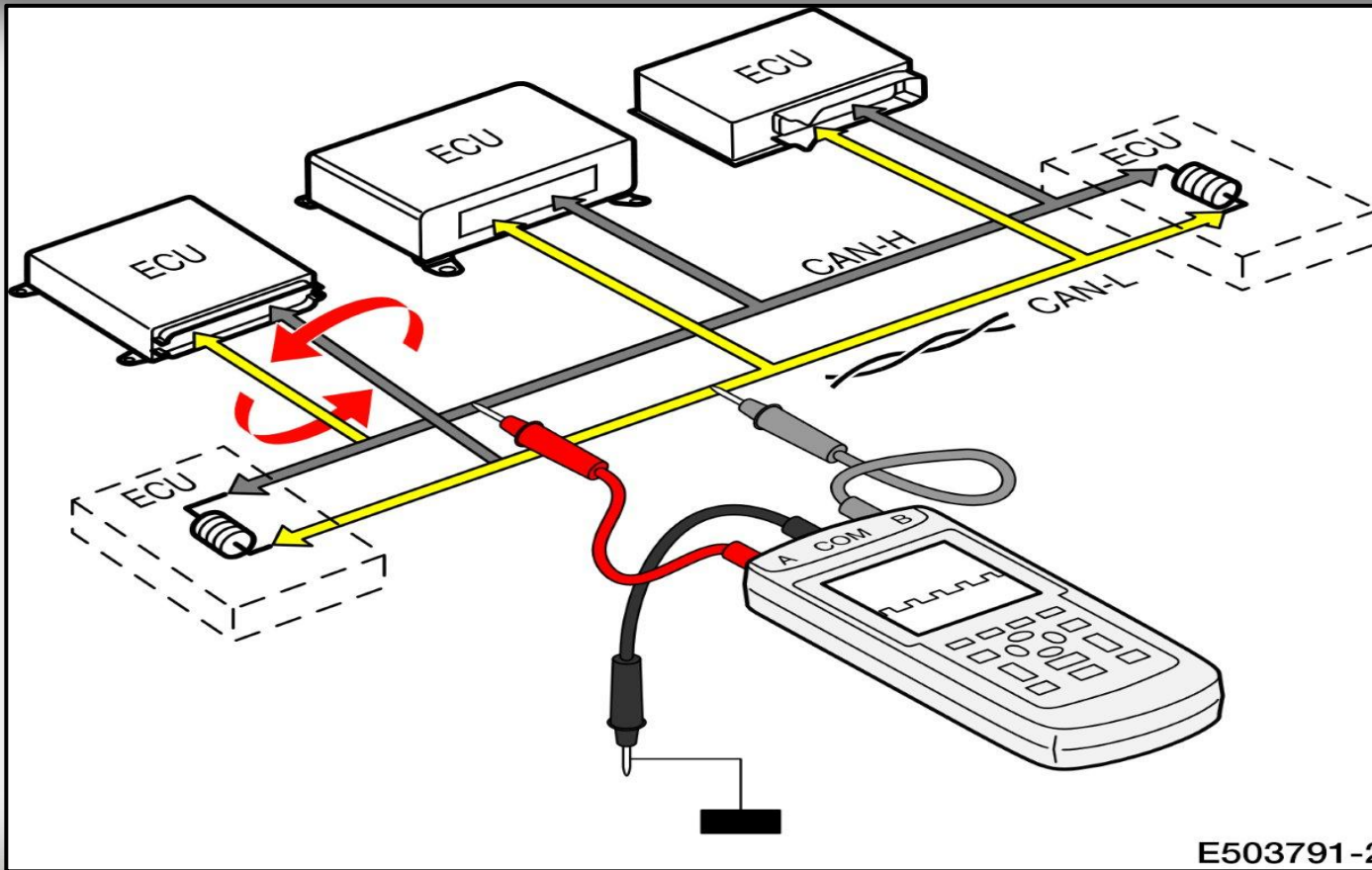
- C Tec Battery Tester
- Circuit Scan Tool
- DMM
- Oscilloscope



# Fault Finding

- Oscilloscope
- PWM or duty cycle Signal
- Sine wave signal
- Square wave signal

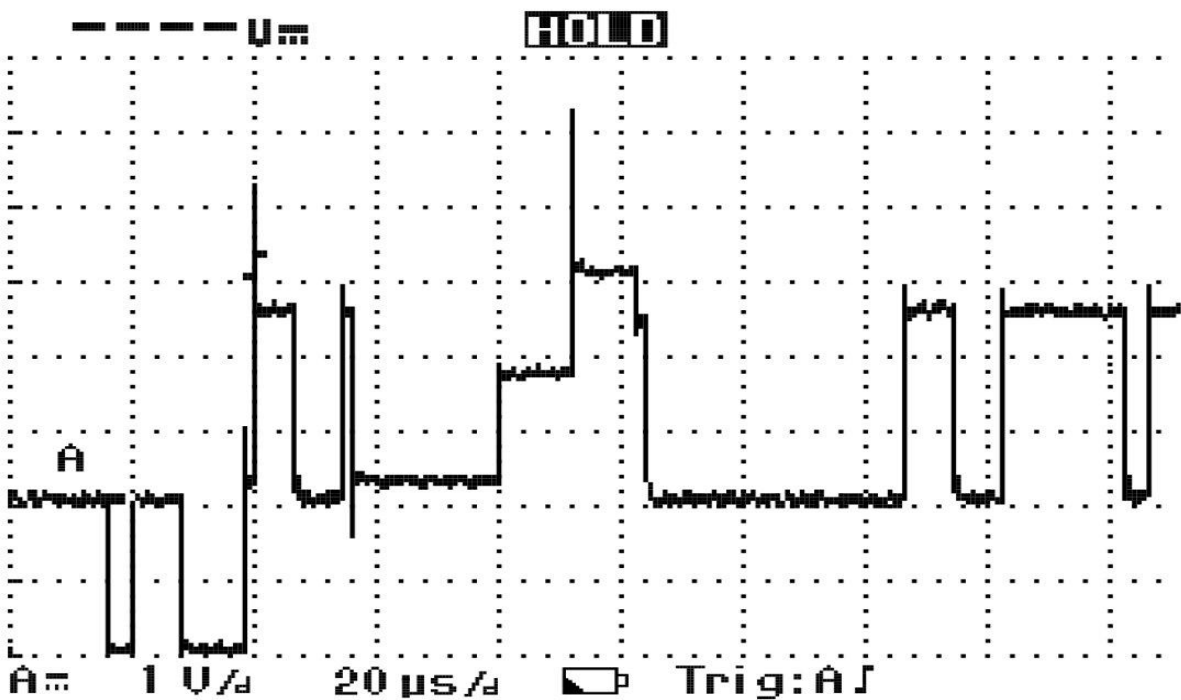




E503791-2



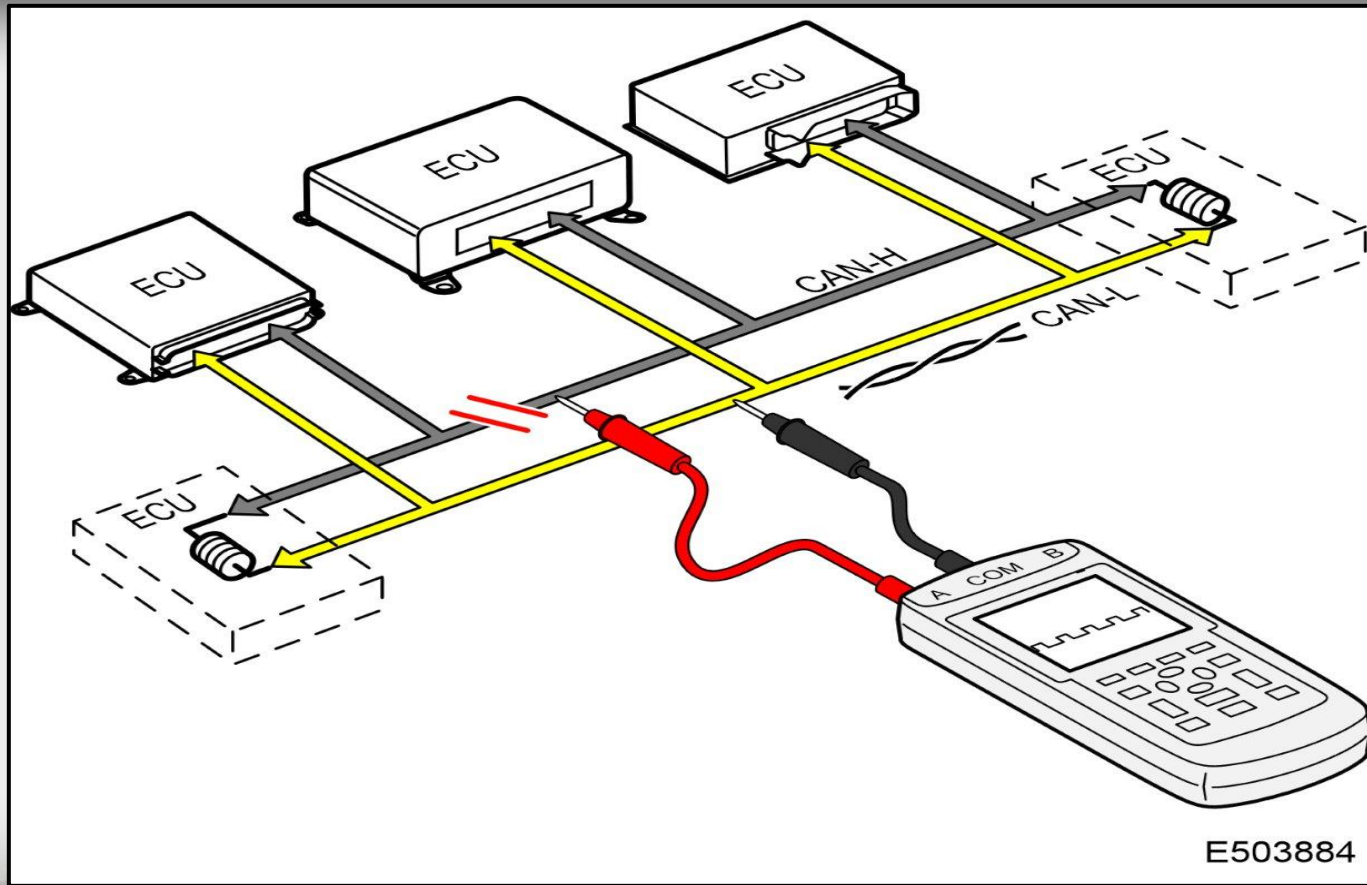
**+5.09**  $V_{PK}$



$\hat{A}$  1 V/div 20  $\mu$ s/div Trig:A

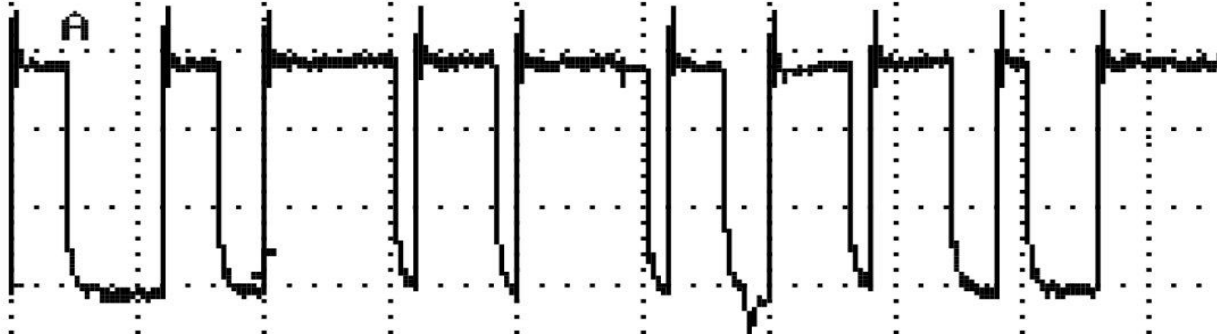
E503916





**3.62**  $\hat{U}_{PK}$   
**+2070**  $\mu m$

**HOLD**

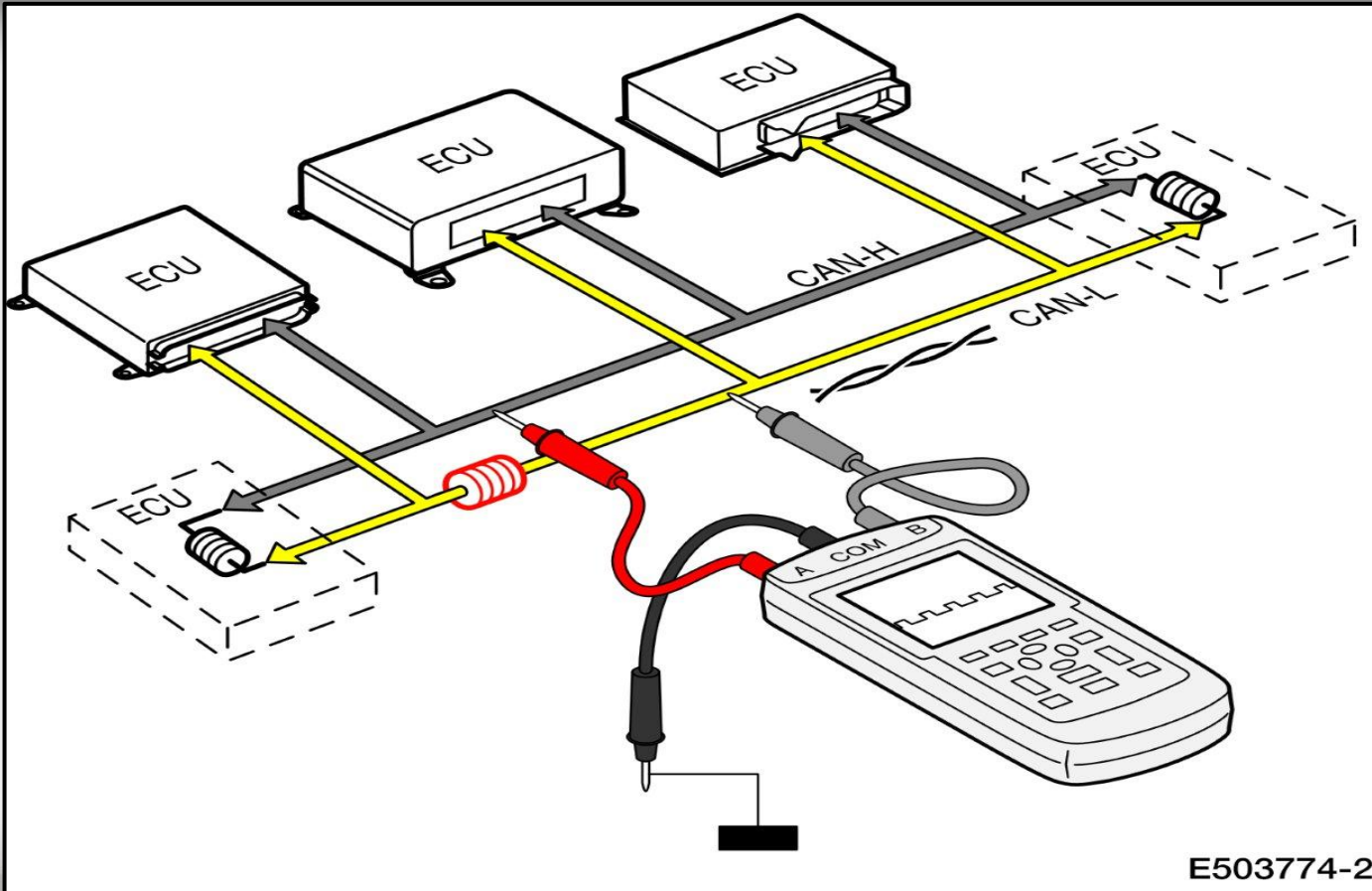


A: 1 V/a 20  $\mu s/a$  Trig: A

E503913-2





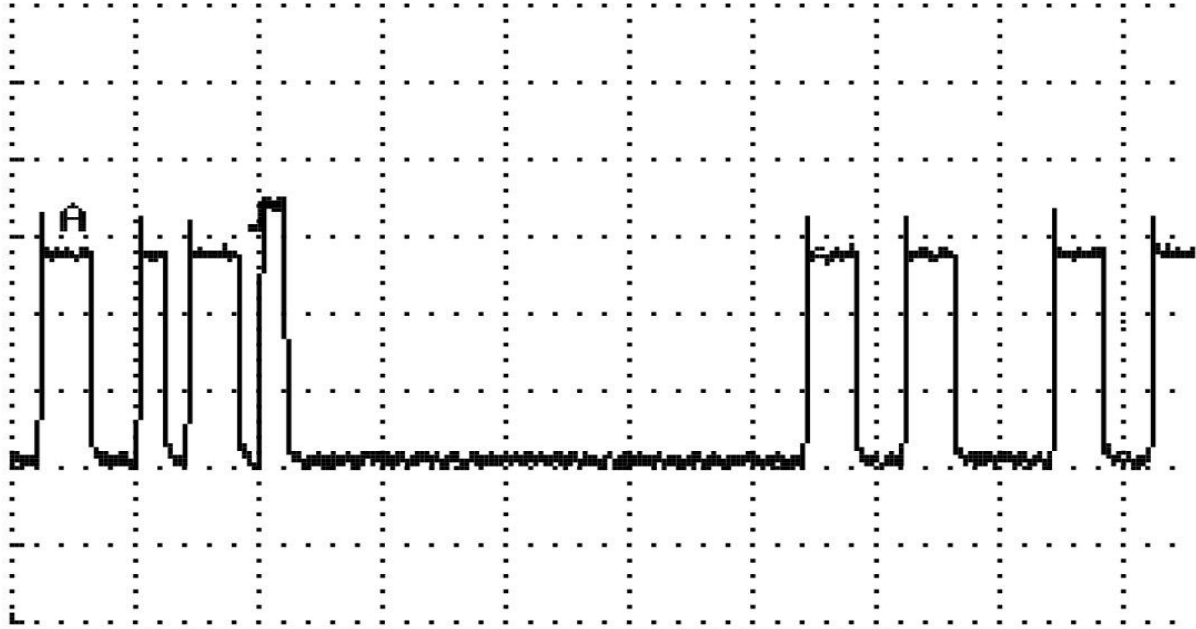


E503774-2



**3.46**  $V_{PK}$   
**+0.913**  $\mu m$

**HOLD**



$A \approx 1 V/\mu$   $20 \mu s/\mu$  Trig: A

E503915



